

NAC-NUTEK®

# T3C FLOATING BALL VALVES



*Heavy duty forged steel  
floating ball valves for  
installation in upstream,  
midstream and  
downstream  
applications*



**NAC-NUTEK® MODEL T3C  
FORGED STEEL FLOATING BALL VALVES**

**Table of Contents**

Sizes, Materials and Compliance.....	2
Standard Features.....	3
Sizes Available.....	3
Valve Details and Materials Lists.....	4
Valve Assemblies and Dimensions Tables.....	6
Actuator Mounting Dimensions.....	10
Pressure, Temperature Ratings and Torque Tables.....	11
How to Order.....	11

**Sizes, Pressures and End Connections**

- Full Port Sizes: 1/2" through 2" (15 mm through 50 mm)
- Reduced Port Sizes: 3/4" through 3" (20 mm through 80 mm)
- ASME Classes: 150 through 2500 (PN 20 through 420)
- WOG: 2000 through 6000 psi
- End Connections: Threaded, flanged, socket weld and butt weld

**Materials and Actuation**

- Materials: Carbon steel, stainless steel and special alloys
- Operator: Manual lever handle
- Actuation: Consult NAM for information on various types of actuators, including gear-operator

**Compliance to Standards and Specifications**

- Registered Quality System [API Q1]
- ASME B16.34 / B16.25 / B16.11 / B16.10 / B16.5 / B1.20.1
- API 598 / 6D / CSA Testing
- API 607 / 6FA & ISO-10497 (Fire-Safe)
- ASME Section VIII, Division 1 Boiler and Pressure Vessel Code
- CSA Z245.15 Steel Valves & API 608
- NACE MR 0175 & MR 0103 compliant
- MSS SP-25 marking
- Canadian Registration Number (CRN)

# MODEL T3C

## Standard Features

### BODY CONSTRUCTION

Forged steel, three-piece threaded construction. A machined pad area is drilled and tapped for actuation, as a standard. Threaded construction allows for combinations of end connections. Stem packing adjustment without handle removal.

### HANDLE

Rugged cast handle. Handle position indicates flow position. When the handle is positioned inline with the pipe, the valve is open. When the handle is perpendicular to the pipe, the valve is closed. Locking handle / handle hub is standard for all valves.

### PACKING

Self-adjusting (live loaded) by means of Belleville washers, allow for long service life.

### ANTI-STATIC DEVICE

All valves have mechanical anti-static devices as standard.

### BALL

The floating ball design provides for positive shutoff in either flow direction. Includes pressure equalization hole to prevent trapping of pressure in the body cavity.

### STEM

Blowout-proof stem is back-seated through the valve body. Redundant sealing suitable for fire conditions, high cycle applications and fugitive emissions compliance.

### REDUNDANT STEM SEAL

Stem O-ring installed on all valves.

### THRUST WASHER

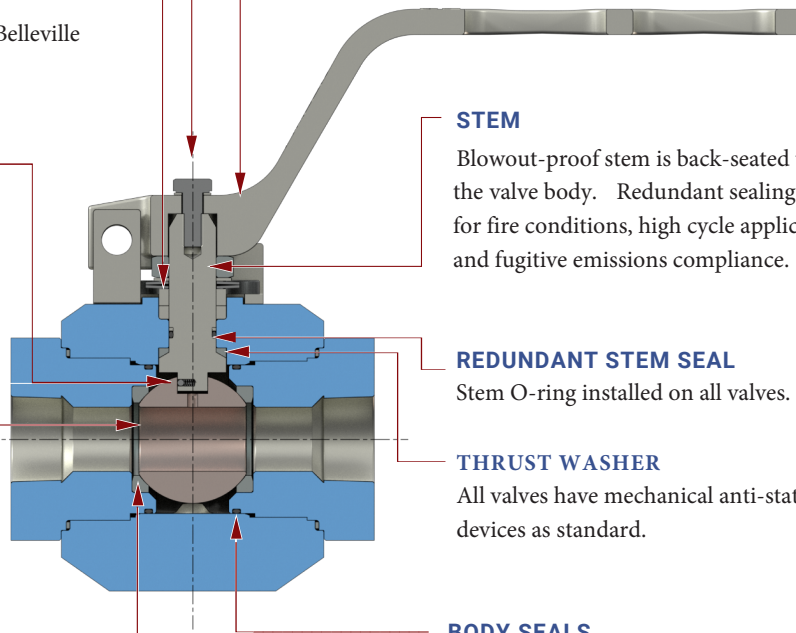
All valves have mechanical anti-static devices as standard.

### SEATS

Materials available are Teflon™, Delrin, Devlon™ and LF PEEK.

### BODY SEALS

Body seals are placed ahead of the body cap threads, for protection from media.

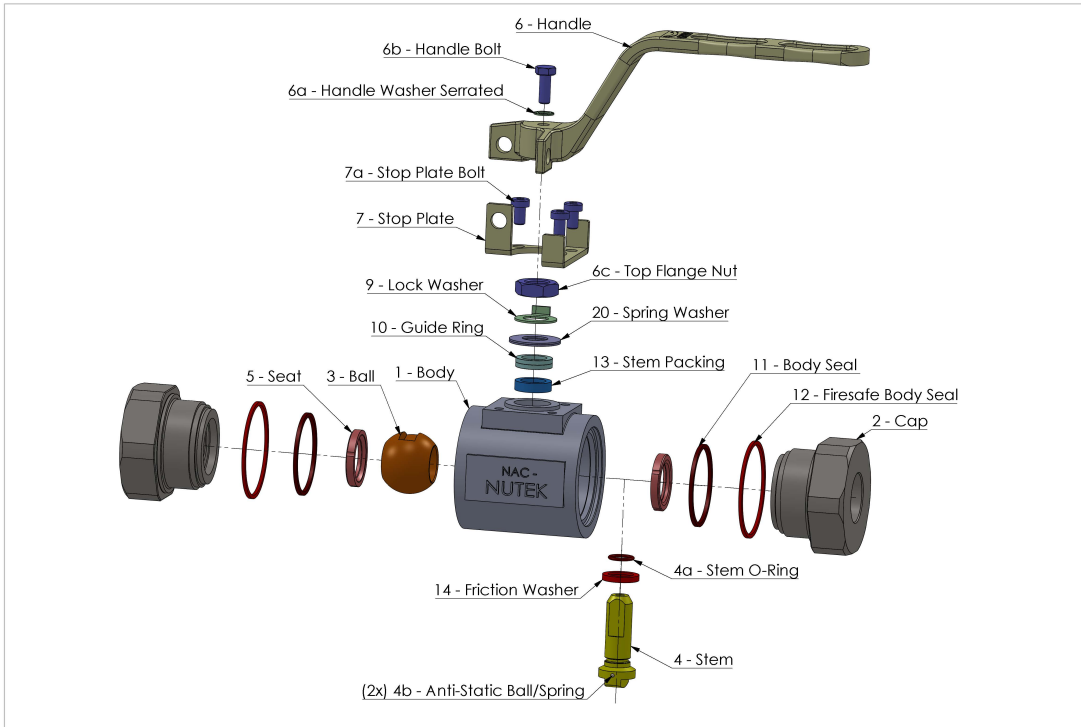


## Sizes Available

ASME CLASS		150/300/600	900	1500	2500
(PN)		(20/50/100)	(150)	(250)	(400)
FULL PORT	inch (mm)	1/2 through 2 (15 through 50)	1/2 through 2 (15 through 50)	1/2 through 2 (15 through 50)	1/2 through 1 1/2 (15 through 40)
REDUCED PORT	inch (mm)	3/4 through 3 (20 through 80)	3/4 through 3 (20 through 80)	3/4 through 3 (20 through 80)	3/4 through 2 (20 through 50)
<b>WOG (psi)</b>			<b>2000</b>	<b>3000</b>	<b>6000</b>
FULL PORT THREADED	inch (mm)		1/4 through 2 (8 through 50)	1/4 through 2 (8 through 50)	1/4 through 1 1/2 (8 through 40)
RP THREADED	inch (mm)		3/4 through 3 (20 through 80)	3/4 through 3 (20 through 80)	3/4 through 2 (20 through 50)
FULL PORT SOCKET-WELD	inch (mm)		1/4 through 2 (8 through 50)	1/4 through 2 (8 through 50)	1/4 through 1 1/2 (8 through 40)
RP SOCKET-WELD	inch (mm)		3/4 through 3 (20 through 80)	3/4 through 3 (20 through 80)	3/4 through 2 (20 through 50)

# MODEL T3C

## 1/4" – 1" FP (DN 8 – 25)



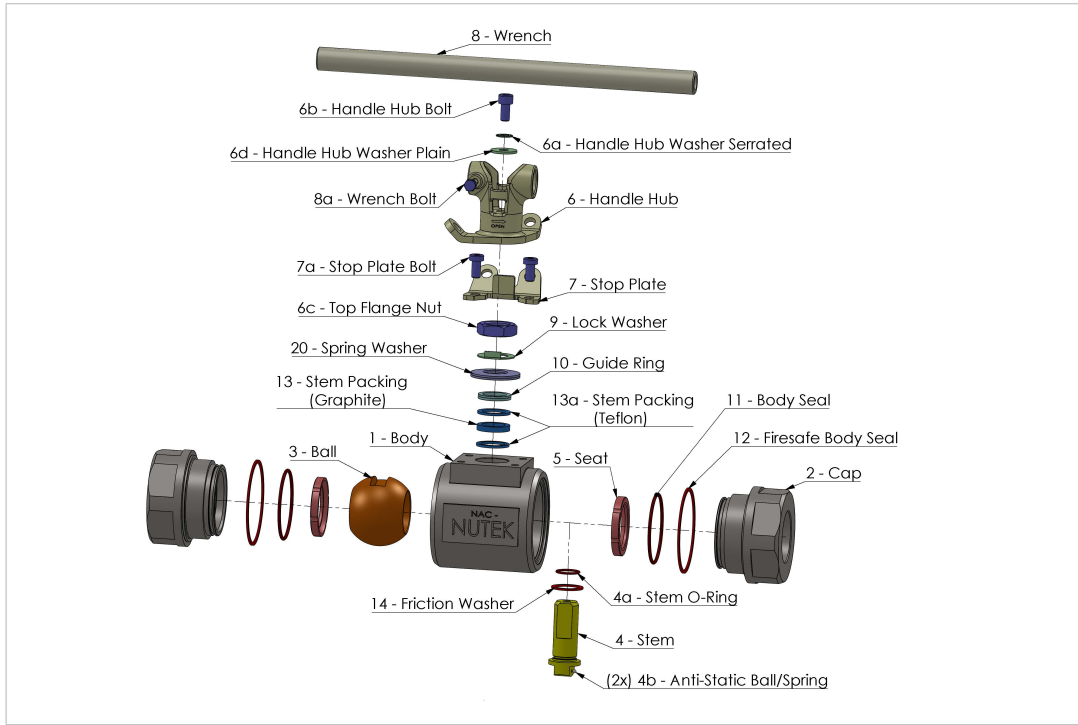
ITEM	PART	CWP-WOG	STANDARD	SOUR	SLT	SS
		(PSIG)	-20°F (-29°C)	-20°F (-29°C)	-50°F (-46°C)	-50°F (-46°C)
1	BODY	All	ASTM A105N	ASTM A105N	ASTM A350 LF2	ASTM A479 316SS
2	CAP	All	ASTM A105N	ASTM A105N	ASTM A350 LF2	ASTM A479 316SS
3	BALL	2000/3000 6000	ASTM A351 CF8M ASTM A564 17-4	ASTM A351 CF8M ASTM A564 17-4	ASTM A351 CF8M ASTM A564 17-4	ASTM A351 CF8M ASTM A564 17-4
4	STEM	2000/3000 6000	ASTM A479 316SS ASTM A564 17-4	ASTM A479 316SS ASTM A564 17-4	ASTM A479 316SS ASTM A564 17-4	ASTM A479 316SS / Nitride ASTM A564 17-4 / Nitride
4a	STEM O-RING	All	HSN	Viton	Viton GLT	Viton GFLT
4b	ANTI-STATIC SPRING/BALL	All	SS	SS	SS	SS
5	SEAT	2000 3000 6000	RPTFE *Delrin LF Peek	RPTFE *Delrin LF Peek	RPTFE *Delrin LF Peek	RPTFE PEEK LF Peek
6	HANDLE	All	WCB	WCB	WCB	WCB
6a	HANDLE WASHER	All	CS Zinc	CS Zinc	CS Zinc	CS Zinc
6b	HANDLE BOLT	All	SS	SS	SS	SS
6c	HEX NUT	All	SS	SS	SS	SS
7	STOP PLATE	All	ASTM A240 304SS	ASTM A240 304SS	ASTM A240 304SS	ASTM A240 304SS
7a	STOP PLATE BOLT	All	SS	SS	SS	SS
9	LOCK WASHER	All	ASTM A240 304SS	ASTM A240 304SS	ASTM A240 304SS	ASTM A240 304SS
10	GUIDE RING	All	ASTM A479 316SS	ASTM A479 316SS	ASTM A479 316SS	ASTM A479 316SS
11	BODY SEAL	All	HSN	Viton	Viton GLT	Viton GFLT
12	FIRESAFE BODY SEAL	All	Graphite	Graphite	Graphite	Graphite
13	STEM PACKING	All	Graphite	Graphite	Graphite	Graphite
14	FRICTION WASHER	All	RPTFE	RPTFE	RPTFE	RPTFE
20	SPRING WASHER	ALL	ASTM A240 316SS	ASTM A240 316SS	ASTM A240 316SS	ASTM A240 316SS

\* Delrin std; SW/BW will come with LF Peek for 3000 WOG

NAM reserves the right to upgrade materials without notice.

# MODEL T3C

## 1.5" – 3" RP (DN 40 – 80)



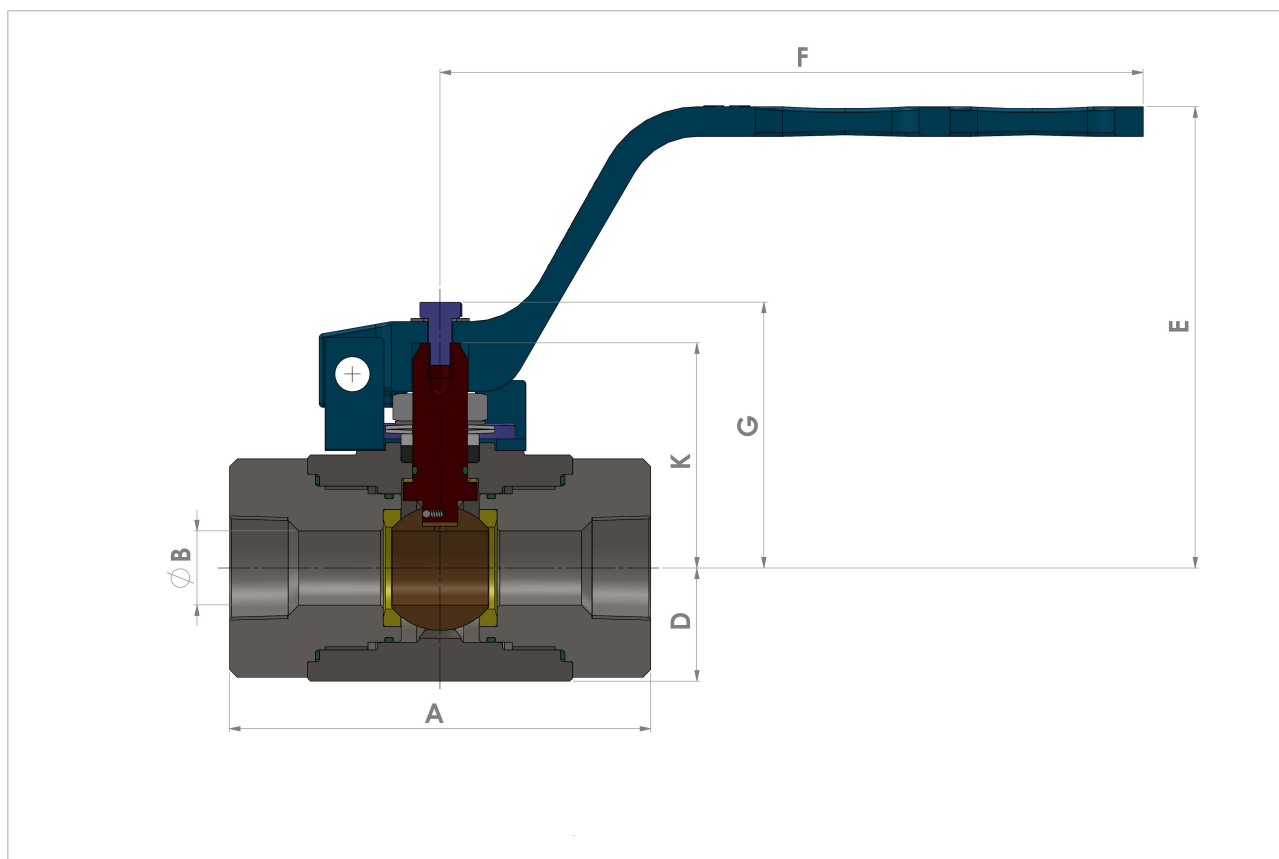
ITEM	PART	CWP-WOG	STANDARD	SOUR	SLT	SS
		(PSIG)	-20°F (-29°C)	-20°F (-29°C)	-50°F (-46°C)	-50°F (-46°C)
1	BODY	All	ASTM A105N	ASTM A105N	ASTM A350 LF2	ASTM A479 316SS
2	CAP	All	ASTM A350 LF2	ASTM A350 LF2	ASTM A350 LF2	ASTM A479 316SS
3	BALL	2000/3000 6000	ASTM A351 CF8M ASTM CB7Cu1 17-4	ASTM A351 CF8M ASTM CB7Cu1 17-4	ASTM A351 CF8M ASTM CB7Cu1 17-4	ASTM A351 CF8M ASTM CB7Cu1 17-4
4	STEM	2000/3000 6000	ASTM A479 316SS ASTM A564 17-4	ASTM A479 316SS ASTM A564 17-4	ASTM A479 316SS ASTM A564 17-4	ASTM A479 316SS / Nitride ASTM A564 17-4 / Nitride
4a	STEM O-RING	All	HSN	VITON	VITON GLT	VITON GFLT
4b	ANTI STATIC Spring/ Ball	All	SS	SS	SS	SS
5	SEAT	2000 3000 6000	RPTFE *DELRIN LF PEEK	RPTFE *DELRIN LF PEEK	RPTFE *DELRIN LF PEEK	RPTFE PEEK LF PEEK
6	HANDLE HUB (HH)	All	WCB	WCB	WCB	WCB
6a/d	HH WASHER Serrated/Plain	All	CS Zinc	CS Zinc	CS Zinc	CS Zinc
6b	HH Bolt	All	SS	SS	SS	SS
6c	TOP FLANGE NUT	All	SS	SS	SS	SS
7	STOP PLATE	All	SS	SS	SS	SS
7a	STOP PLATE BOLT	All	ASTM A240 304SS	ASTM A240 304SS	ASTM A240 304SS	ASTM A240 304SS
8	WRENCH	All	ASTM A106	ASTM A106	ASTM A106	ASTM A106
8a	WRENCH BOLT	All	ASTM A240 304SS	ASTM A240 304SS	ASTM A240 304SS	ASTM A240 304SS
9	LOCK WASHER	All	ASTM A240 304SS	ASTM A240 304SS	ASTM A240 304SS	ASTM A240 304SS
10	GUIDE RING	All	ASTM A479 316SS	ASTM A479 316SS	ASTM A479 316SS	ASTM A479 316SS
11	BODY SEAL	All	HSN	Viton	Viton GLT	Viton GFLT
12	FIRESAFE BODY SEAL	All	Graphite	Graphite	Graphite	Graphite
13	STEM PACKING	All	Graphite	Graphite	Graphite	Graphite
13a	STEM PACKING	All	RPTFE	RPTFE	RPTFE	RPTFE
14	FRICITION WASHER	All	PTFE	PTFE	PTFE	PTFE
20	SPRING WASHER	All	ASTM A240 316SS	ASTM A240 316SS	ASTM A240 316SS	ASTM A240 316SS

\* Delrin std; SW/BW will come with LF Peek for 3000 WOG

NAM reserves the right to upgrade materials without notice.

# MODEL T3C

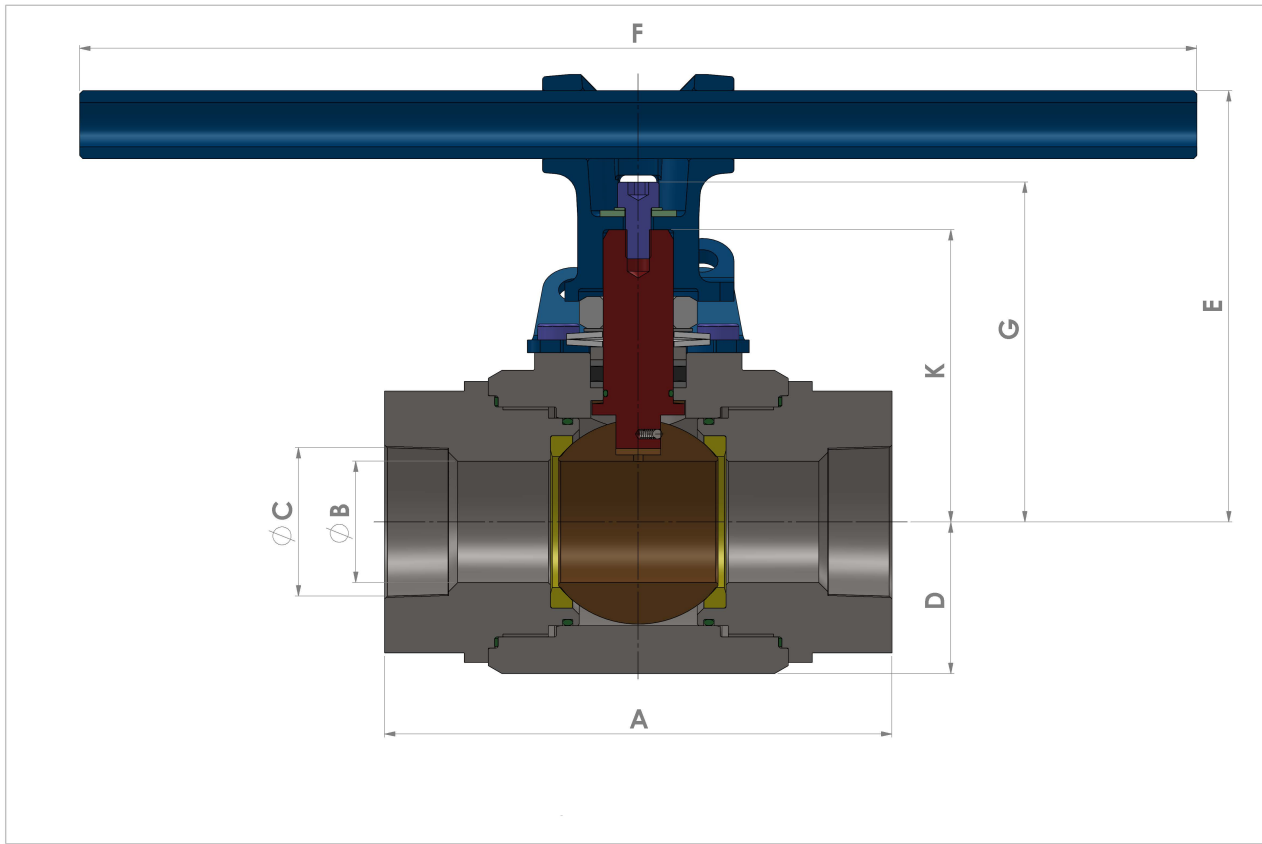
## Full Port Female National Pipe Thread



SIZE IN (mm)	WOG	A	B	D	E	F	G	K	C <sub>v</sub>	WEIGHT
										LB (kg)
1/4 (8)	2000	3.88 (98)	0.50 (13)	0.85 (21.5)	4.17 (106)	7.09 (180)	2.01 (51)	1.59 (40.5)	9	2.90 (1.32)
	3000	3.88 (98)	0.50 (13)	0.85 (21.5)	4.17 (106)	7.09 (180)	2.01 (51)	1.59 (40.5)	9	2.90 (1.32)
	6000	3.88 (98)	0.50 (13)	1.18 (30)	4.29 (109)	7.09 (180)	2.13 (54)	1.71 (43.5)	9	4.07 (1.85)
3/8 (10)	2000	3.88 (98)	0.50 (13)	0.85 (21.5)	4.17 (106)	7.09 (180)	2.01 (51)	1.59 (40.5)	9	2.84 (1.29)
	3000	3.88 (98)	0.50 (13)	0.85 (21.5)	4.17 (106)	7.09 (180)	2.01 (51)	1.59 (40.5)	9	2.84 (1.29)
	6000	3.88 (98)	0.50 (13)	1.18 (30)	4.29 (109)	7.09 (180)	2.13 (54)	1.71 (43.5)	9	4.03 (1.83)
1/2 (15)	2000	3.88 (98)	0.50 (13)	0.85 (21.5)	4.17 (106)	7.09 (180)	2.01 (51)	1.59 (40.5)	26	2.79 (1.27)
	3000	3.88 (98)	0.50 (13)	0.85 (21.5)	4.17 (106)	7.09 (180)	2.01 (51)	1.59 (40.5)	26	2.79 (1.27)
	6000	4.02 (102)	0.50 (13)	1.18 (30)	4.29 (109)	7.09 (180)	2.13 (54)	1.71 (43.5)	26	4.11 (1.87)
3/4 (20)	2000	4.28 (108)	0.75 (19)	1.14 (29)	4.65 (118)	7.09 (180)	2.68 (68)	2.27 (57.7)	42	4.93 (2.24)
	3000	4.28 (108)	0.75 (19)	1.14 (29)	4.65 (118)	7.09 (180)	2.68 (68)	2.27 (57.7)	42	4.93 (2.24)
	6000	4.28 (108)	0.75 (19)	1.57 (40)	4.80 (122)	7.09 (180)	2.83 (72)	2.43 (61.8)	42	7.77 (3.53)
1 (25)	2000	5.24 (133)	0.94 (24)	1.32 (33.5)	5.00 (127)	9.41 (239)	3.06 (78)	2.74 (69.7)	60	7.94 (3.61)
	3000	5.24 (133)	0.94 (24)	1.32 (33.5)	5.00 (127)	9.41 (239)	3.06 (78)	2.74 (69.7)	60	7.94 (3.61)
	6000	5.24 (133)	0.94 (24)	1.57 (40)	5.31 (135)	9.41 (239)	3.88 (98)	3.06 (78)	60	9.41 (4.71)
1-1/2 (40)	2000	6.25 (159)	1.50 (38)	1.87 (47.5)	5.31 (135)	13.78 (350)	4.17 (106)	3.68 (93.5)	260	17.34 (7.88)
	3000	6.25 (159)	1.50 (38)	1.87(47.5)	5.31 (135)	13.78 (350)	4.17 (106)	3.68 (93.5)	260	17.34 (7.88)
	6000	6.25 (159)	1.50 (38)	2.50 (63.5)	5.51 (140)	17.72 (450)	4.37 (111)	3.80 (96.5)	260	26.58 (12.08)
2 (50)	2000	6.25 (159)	2.00 (51)	2.48 (63)	5.81 (148)	13.78 (350)	4.68 (119)	4.09 (104)	480	27.35 (12.43)
	3000	6.25 (159)	2.00 (51)	2.48 (63)	5.81 (148)	13.78 (350)	4.68 (119)	4.09 (104)	480	27.35 (12.43)

# MODEL T3C

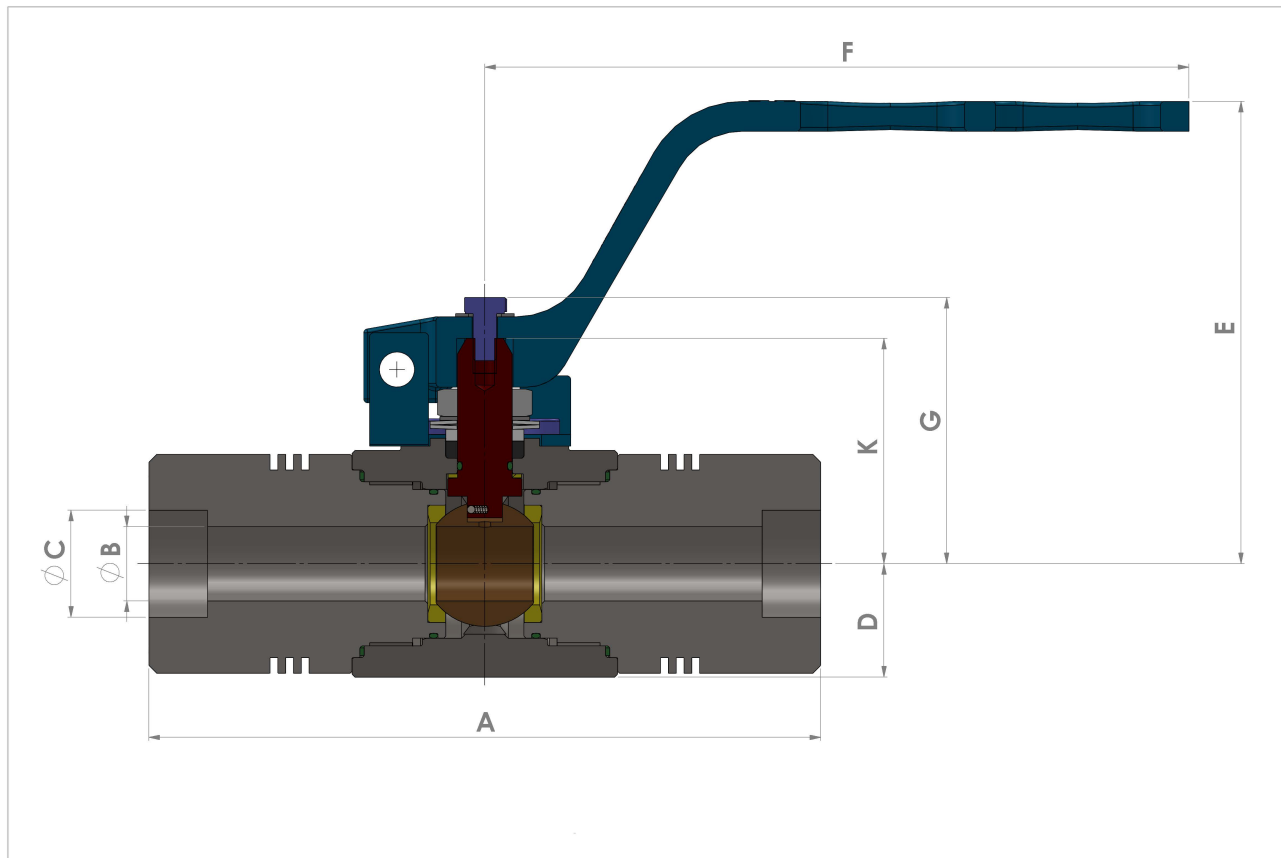
## Reduced Port Female National Pipe Thread



SIZE IN (mm)	WOG	A	B	C	D	E	F	G	K	C <sub>v</sub>	WEIGHT
											LB (kg)
3/4 (20)	2000	4.06 (103)	0.50 (13)	0.75 (19)	0.85 (21.5)	4.17 (106)	7.09 (180)	2.01 (51)	1.59 (40.5)	14	2.77 (1.26)
	3000	4.06 (103)	0.50 (13)	0.75 (19)	0.85 (21.5)	4.17 (106)	7.09 (180)	2.01 (51)	1.59 (40.5)	14	2.77 (1.26)
	6000	4.38 (111)	0.50 (13)	0.75 (19)	1.18 (30)	4.29 (109)	7.09 (180)	2.13 (54)	1.71 (43.5)	14	4.49 (2.04)
1 (25)	2000	4.28 (108)	0.75 (19)	1.00 (25)	1.14 (29)	4.65 (118)	7.09 (180)	2.68 (68)	2.27 (57.7)	30	4.73 (2.15)
	3000	4.28 (108)	0.75 (19)	1.00 (25)	1.14 (29)	4.65 (118)	7.09 (180)	2.68 (68)	2.27 (57.7)	30	4.73 (2.15)
	6000	5.22 (133)	0.75 (19)	1.00 (25)	1.57 (40)	4.80 (122)	7.09 (180)	2.83 (72)	2.43 (61.8)	30	8.73 (3.97)
2 (50)	2000	6.25 (159)	1.5 (38)	2.00 (51)	1.87 (47.5)	5.31 (135)	13.78 (350)	4.17 (106)	3.68 (93.5)	100	16.65 (7.57)
	3000	6.25 (159)	1.5 (38)	2.00 (51)	1.87 (47.5)	5.31 (135)	13.78 (350)	4.17 (106)	3.68 (93.5)	100	16.65 (7.57)
	6000	7.25 (184)	1.5 (38)	2.00 (51)	2.80 (71)	5.51 (140)	17.72 (450)	4.37 (111)	3.80 (96.5)	100	30.07 (13.67)
3 (80)	2000	10.0 (254)	2.00 (51)	3.00 (76)	2.48 (63)	5.81 (148)	13.78 (350)	4.68 (119)	4.09 (104)	420	43.74 (19.88)
	3000	10.0 (254)	2.00 (51)	3.00 (76)	2.48 (63)	5.81 (148)	13.78 (350)	4.68 (119)	4.09 (104)	420	43.74 (19.88)

# MODEL T3C

## Full Port Socket Weld and Socket Weld x FNPT

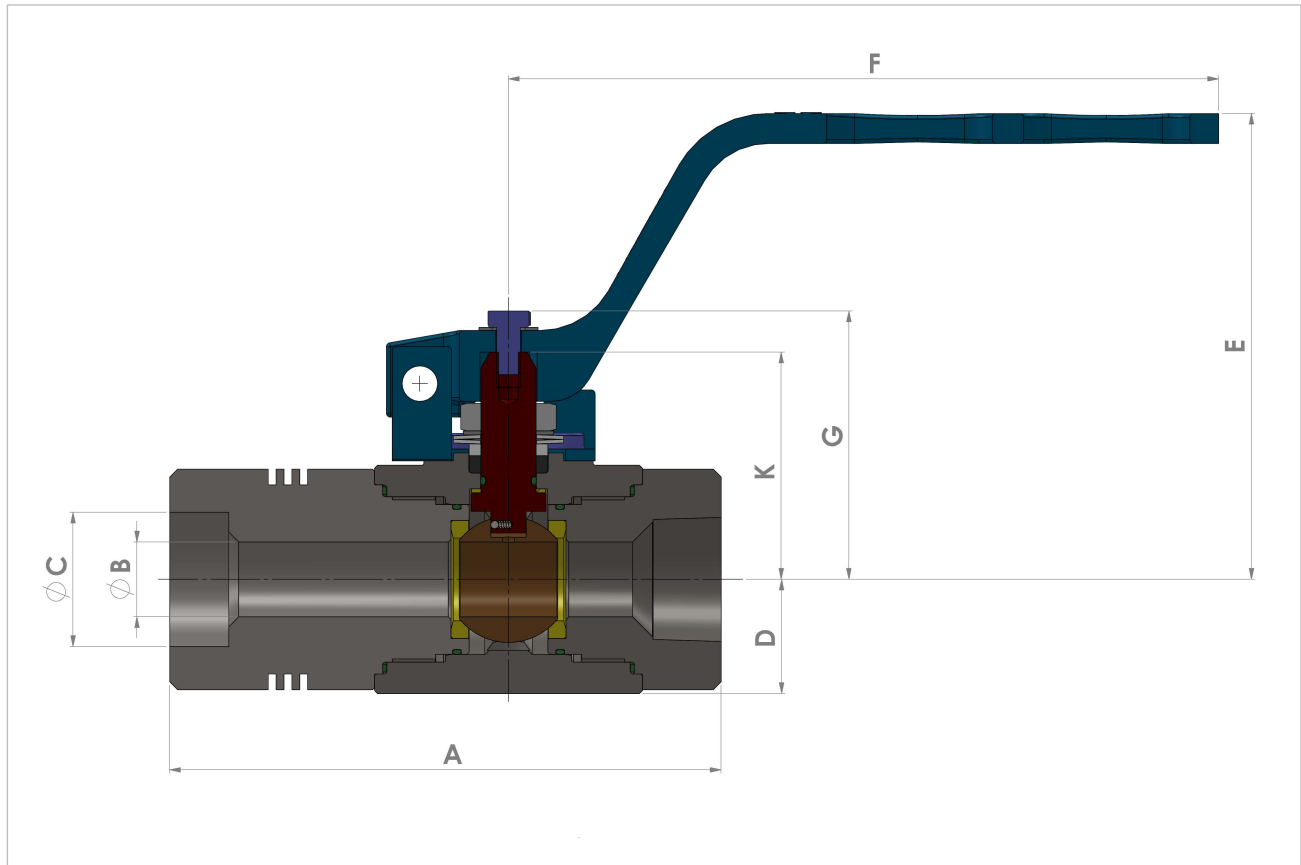


SIZE	WOG	A		B	C		D	E	F	G	K	Cv	WEIGHT LB (kg)	
		FNPT x SW	SW		FNPT x SW	SW							FNPT x SW	SW
1/4 (8)	2000	4.43 (112.5)	5.00 (127)	0.50 (13)	0.25 (6)	0.56 (14)	0.85 (21.5)	4.17 (106)	7.09 (180)	2.01 (51)	1.59 (40.5)	26	3.17 (1.44)	3.43 (1.56)
	3000	4.43 (112.5)	5.00 (127)	0.50 (13)	0.25 (6)	0.56 (14)	0.85 (21.5)	4.17 (106)	7.09 (180)	2.01 (51)	1.59 (40.5)	26	3.17 (1.44)	3.43 (1.56)
	6000	4.43 (112.5)	5.00 (127)	0.50 (13)	0.25 (6)	0.56 (14)	1.18 (30)	4.29 (109)	7.09 (180)	2.13 (54)	1.71 (43.5)	26	4.75 (2.01)	4.75 (2.14)
3/8 (10)	2000	4.43 (112.5)	5.00 (127)	0.50 (13)	0.38 (10)	0.69 (18)	0.85 (21.5)	4.17 (106)	7.09 (180)	2.01 (51)	1.59 (40.5)	42	3.12 (1.42)	3.39 (1.54)
	3000	4.43 (112.5)	5.00 (127)	0.50 (13)	0.38 (10)	0.69 (18)	0.85 (21.5)	4.17 (106)	7.09 (180)	2.01 (51)	1.59 (40.5)	42	3.12 (1.42)	3.39 (1.54)
	6000	4.43 (112.5)	5.00 (127)	0.50 (13)	0.38 (10)	0.69 (18)	1.18 (30)	4.29 (109)	7.09 (180)	2.13 (54)	1.71 (43.5)	42	4.38 (1.99)	4.71 (2.14)
1/2 (15)	2000	4.43 (112.5)	5.00 (127)	0.50 (13)	0.50 (13)	0.86 (22)	0.85 (21.5)	4.17 (106)	7.09 (180)	2.01 (51)	1.59 (40.5)	26	3.06 (1.39)	3.32 (1.51)
	3000	4.43 (112.5)	5.00 (127)	0.50 (13)	0.50 (13)	0.86 (22)	0.85 (21.5)	4.17 (106)	7.09 (180)	2.01 (51)	1.59 (40.5)	26	3.06 (1.39)	3.32 (1.51)
	6000	4.51 (114.5)	5.00 (127)	0.50 (13)	0.50 (13)	0.86 (22)	1.18 (30)	4.29 (109)	7.09 (180)	2.13 (54)	1.71 (43.5)	26	4.38 (1.99)	4.64 (2.11)
3/4 (20)	2000	5.50 (140)	6.77 (172)	0.75 (19)	0.75 (19)	1.07 (27)	1.14 (29)	4.65 (118)	7.09 (180)	2.91 (74)	2.27 (57.7)	42	6.03 (2.74)	7.15 (3.25)
	3000	5.50 (140)	6.77 (172)	0.75 (19)	0.75 (19)	1.07 (27)	1.14 (29)	4.65 (118)	7.09 (180)	2.91 (74)	2.27 (57.7)	42	6.03 (2.74)	7.15 (3.25)
	6000	5.50 (140)	6.77 (172)	0.75 (19)	0.75 (19)	1.07 (27)	1.57 (40)	4.80 (122)	7.09 (180)	3.07 (78)	2.43 (61.8)	42	8.84 (4.02)	9.94 (4.52)
1 (25)	2000	6.00 (152.5)	6.77 (172)	1.00 (25)	1.00 (25)	1.34 (34)	1.32 (33.5)	3.06 (78)	9.41 (239)	3.35 (85)	2.74 (69.7)	60	8.76 (3.98)	9.59 (4.63)
	3000	6.00 (152.5)	6.77 (172)	1.00 (25)	1.00 (25)	1.34 (34)	1.32 (33.5)	3.06 (78)	9.41 (239)	3.35 (85)	2.74 (69.7)	60	8.76 (3.98)	9.59 (4.63)
	6000	6.00 (152.5)	6.77 (172)	1.00 (25)	1.00 (25)	1.34 (34)	1.50 (38)	3.35 (85)	9.41 (239)	3.6 (91.5)	3.06 (78)	60	9.59 (4.63)	10.8 (5.40)
1 1/2 (40)	2000	7.40 (188)	8.54 (217)	1.50 (38)	1.50 (38)	1.92 (49)	1.87 (47.5)	5.31 (135)	13.78 (350)	4.17 (106)	3.60 (91.5)	260	19.49 (8.86)	21.65 (9.84)
	3000	7.40 (188)	8.54 (217)	1.50 (38)	<b>1.50 (38)</b>	1.92 (49)	1.87 (47.5)	5.31 (135)	13.78 (350)	4.17 (106)	3.60 (91.5)	260	19.49 (8.86)	21.65 (9.84)
	6000	7.40 (188)	8.54 (217)	1.50 (38)	1.50 (38)	1.92 (49)	2.50 (63.5)	5.51 (140)	17.72 (450)	4.37 (111)	3.80 (96.5)	260	28.7 (13.0)	30.8 (14.0)
2 (50)	2000	9.50 (188)	12.75 (324)	2.00 (51)	2.00 (51)	2.41 (61)	2.48 (63)	5.81 (148)	13.78 (350)	4.68 (119)	4.09 (104)	480	37.1 (16.9)	46.8 (21.3)
	3000	9.50 (188)	12.75 (324)	2.00 (51)	2.00 (51)	2.41 (61)	2.48 (63)	5.81 (148)	13.78 (350)	4.68 (119)	4.09 (104)	480	37.1 (16.9)	46.8 (21.3)



## MODEL T3C

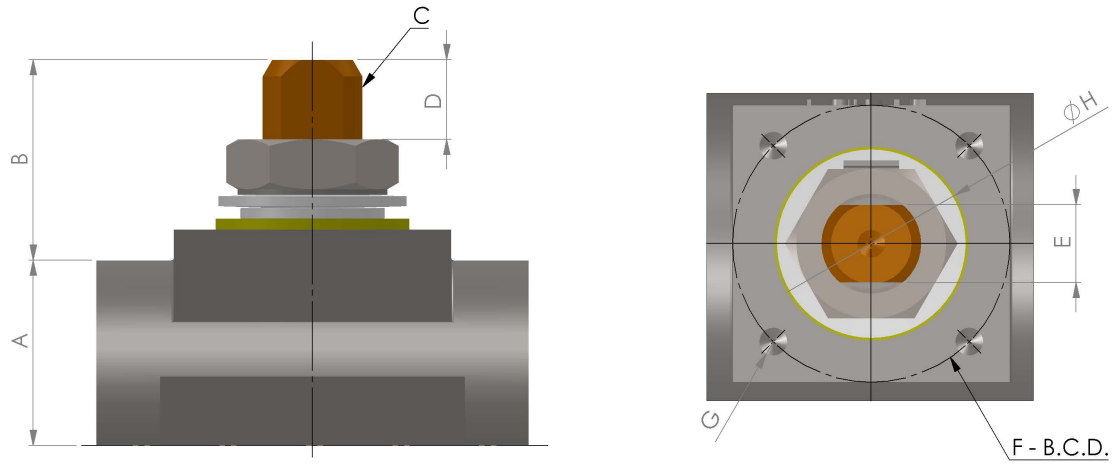
### Reduced Port Socket Weld and Socket Weld x FNPT



SIZE IN (mm)	WOG	A		B	C		D	E	F	G	K	Cv	WEIGHT LB (kg)	
		FNPT x SW	SW		FNPT x SW	SW							FNPT x SW	SW
3/4 (20)	2000	5.41 (137.5)	6.77 (172)	0.50 (13)	0.75 (19)	1.07 (27)	0.85 (21.5)	4.17 (106)	7.09 (180)	2.01 (51)	1.59 (40)	14	3.50 (1.59)	4.22 (1.92)
	3000	5.41 (137.5)	6.77 (172)	0.50 (13)	0.75 (19)	1.07 (27)	0.85 (21.5)	4.17 (106)	7.09 (180)	2.01 (51)	1.59 (40)	14	3.50 (1.59)	4.22 (1.92)
	6000	5.57 (141.5)	6.77 (172)	0.50 (13)	0.75 (19)	1.07 (27)	1.18 (30)	4.29 (109)	7.09 (180)	2.13 (54)	1.71 (54)	14	5.37 (2.44)	6.27 (2.85)
1 (25)	2000	5.51 (140)	6.77 (172)	0.75 (19)	1.00 (25)	1.34 (34)	1.14 (29)	4.65 (118)	7.09 (180)	2.68 (68)	2.27 (58)	30	5.85 (2.66)	6.97 (3.17)
	3000	5.51 (140)	6.77 (172)	0.75 (19)	1.00 (25)	1.34 (34)	1.14 (29)	4.65 (118)	7.09 (180)	2.68 (68)	2.27 (58)	30	5.35 (2.66)	6.97 (3.17)
	6000	6.00 (152.5)	6.77 (172)	0.75 (19)	1.00 (25)	1.34 (34)	1.57 (40)	4.80 (122)	7.09 (180)	2.83 (72)	2.43 (62)	30	9.53 (4.33)	10.3 (4.68)
2 (50)	2000	7.40 (188)	8.54 (217)	1.50 (38)	2.00 (51)	2.41 (61)	1.87 (47.5)	5.31 (135)	13.78 (350)	4.17 (106)	3.60 (92)	100	19.1 (8.68)	21.5 (9.8)
	3000	7.40 (188)	8.54 (217)	1.50 (38)	2.00 (51)	2.41 (61)	1.87 (47.5)	5.31 (135)	13.78 (350)	4.17 (106)	3.60 (92)	100	19.1 (8.68)	21.5 (9.8)
	6000	7.89 (200)	8.54 (217)	1.50 (38)	2.00 (51)	2.41 (61)	2.50 (63.5)	5.51 (140)	17.72 (450)	4.37 (111)	3.80 (97)	100	31.8 (14.45)	33.5 (15.2)
3 (80)	2000	11.38 (289)	12.75 (324)	2.00 (51)	3.00 (76)	3.54 (90)	2.48 (63)	5.81 (148)	13.78 (350)	4.68 (119)	4.1 (104)	420	50.3 (22.87)	56.9 (25.9)
	3000	11.38 (289)	12.75 (324)	2.00 (51)	3.00 (76)	3.54 (90)	2.48 (63)	5.81 (148)	13.78 (350)	4.68 (119)	4.1 (104)	420	50.3 (22.87)	56.9 (25.9)

## MODEL T3C

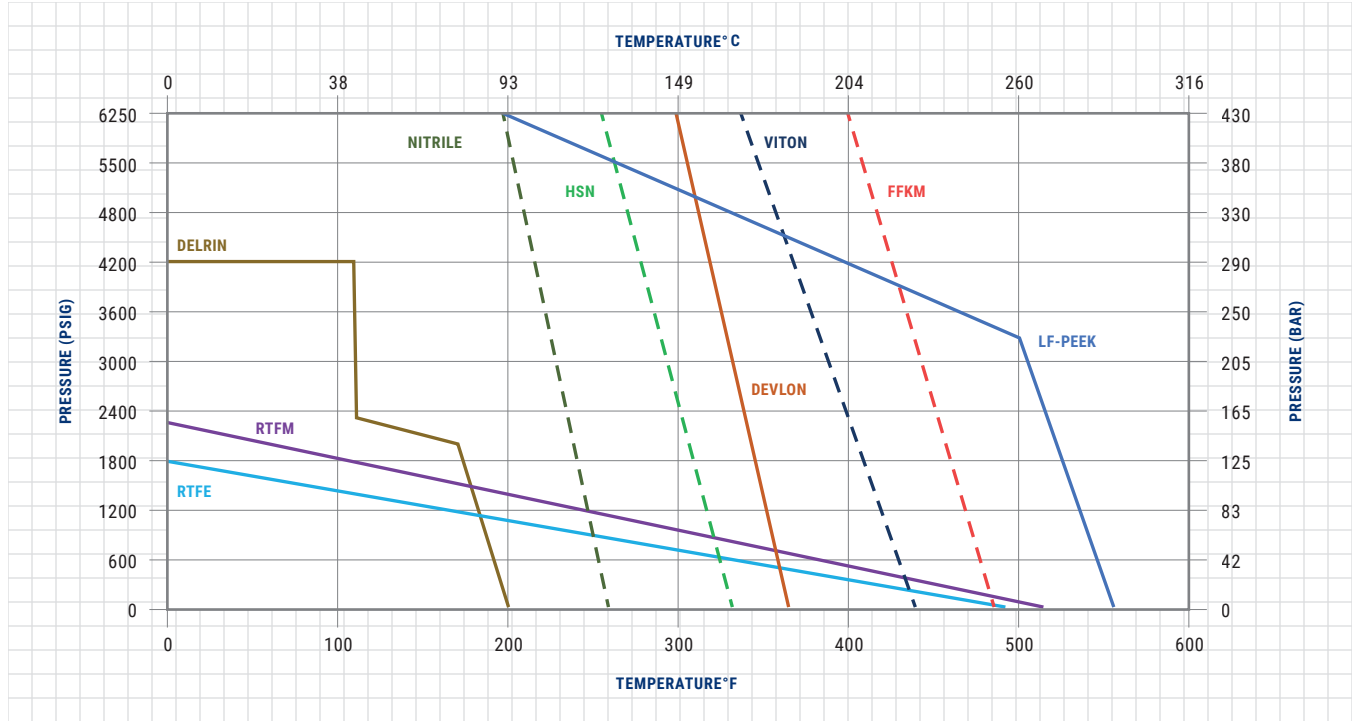
### Actuator Mounting Dimensions (1/4" – 3"RP)(DN 8 – 80)



Size IN (mm)	A	B	C	D	E	Ø F	G	Ø H
1/4 FP (8) 3K	22.5 (0.89)	18 (0.71)	M10x1	7.4 (0.29)	7 (0.28)	36 (1.42)	(4x) M5x0.8 - 6H DP 7	25 (0.98)
1/4 FP (8) 6K	25.5 (1.0)	18 (0.71)	M10x1	8 (0.31)	7 (0.28)	36 (1.42)	(4x) M5x0.8 - 6H DP 7	25 (0.98)
3/8 FP (10) 3K	22.5 (0.89)	18 (0.71)	M10x1	7.4 (0.29)	7 (0.28)	36 (1.42)	(4x) M5x0.8 - 6H DP 7	25 (0.98)
3/8 FP (10) 6K	25.5 (1.0)	18 (0.71)	M10x1	8 (0.31)	7 (0.28)	36 (1.42)	(4x) M5x0.8 - 6H DP 7	25 (0.98)
1/2 FP : 3/4 RP (15:20) 3K	22.5 (0.89)	18 (0.71)	M10x1	7.4 (0.29)	7 (0.28)	36 (1.42)	(4x) M5x0.8 - 6H DP 7	25 (0.98)
1/2 FP : 3/4 RP (15:20) 6K	25.5 (1.0)	18 (0.71)	M10x1	8 (0.31)	7 (0.28)	36 (1.42)	(4x) M5x0.8 - 6H DP 7	25 (0.98)
3/4 FP : 1 RP (20:25) 3K	30 (1.18)	27.6 (1.09)	M14x1.5	13 (0.51)	11 (0.43)	40 (1.57)	(4x) M6x1.0 - 6H DP 8	28 (1.10)
3/4 FP : 1 RP (20:25) 6K	35 (1.38)	26.8 (1.06)	M14x1.5	12.7 (0.50)	11 (0.43)	40 (1.57)	(4x) M6x1.0 - 6H DP 9	28 (1.10)
1 FP (25) 3K	39 (1.54)	31.3 (1.23)	M18x1.5	14.4 (0.57)	14 (0.55)	50 (1.97)	(4x) M6x1.0 - 6H DP 11	35 (1.38)
1.5 FP : 2 RP (40:50) 3K	53 (2.09)	38.5 (1.52)	M22x1.5	20.9 (0.82)	17 (0.67)	64 (2.52)	(4x) M8x1.0 - 6H DP 14	---
1.5 FP : 2 RP (40:50) 6K	58 (2.28)	38.5 (1.52)	M22x1.5	20.9 (0.82)	17 (0.67)	64 (2.52)	(4x) M8x1.0 - 6H DP 14	---
2 FP : 3 RP (50:80) 3K	65.5 (2.58)	38.5 (1.52)	M22x1.5	20.9 (0.82)	17 (0.67)	64 (2.52)	(4x) M8x1.0 - 6H DP 14	---

# MODEL T3C

## Pressure/Temperature Ratings (Seats and Seals)



\*Consult ASME B16.34 for body and adapter material pressure/temperature ratings

### How to Order

How to develop typical figure numbers *without options*: (see Note 1)

eg: 3/4" forged carbon steel (NACE), 3000 WOG, Full-Port NPT for Sour-Low-Temp service c/w SS trim, upgraded Teflon Seats and locking handle

FIGURE NUMBER MATRIX - FLOATERS											
SERIES (XX)	BORE (X)		SIZE (XX)	CONNECTION (X)		CLASS (XX)	SERVICE (X)		TRIM (XX)	SEAT (X)	OPERATOR (X)
<b>T3C</b>	<b>F</b>		<b>07</b>	<b>N</b>		<b>30</b>	<b>L</b>		<b>03</b>	<b>T</b>	<b>1</b>
T3C 3 PC FORGED	F FULL	R REDUCED	02 1/4"	R RAISED FACE	J RTJ	01 150	S STD	01 CS-ENP	R RTFE	1 LOCKING LEVER	
			03 3/8"	B BUTT-WELD (80)	M MNPT	03 300	L SLIT	03 SS 316	T MOD TFE	2 GEAR-OP	
			05 1/2"	N FNPT	S FSW	06 600	N SOUR	05 SS-Nitride	P PEEK	3 BARE-STEM	
			07 3/4"	M MNPT	F FNPT x MNPT	08 800	A FULL SS	06 17-4PH	L LF-PEEK	4 SPRING RETURN	
			10 1"	S FSW	G RF x FNPT	09 900	M SLURRY	07 17-4-Nitride	D DELRIN		
			12 1-1/4"	F FNPT x MNPT	H RF x FSW	15 1500	B BURIED	08 SS/17-4PH	N NYLON		
			15 1-1/2"	G RF x FNPT	K RTJ x FNPT	25 2500	T HIGH TEMP LIQUID	09 MONEL	K KEL-F		
			20 2"	H RF x FSW	A RF SMOOTH FACE	20 2000	G HIGH TEMP GAS	10 XM19	M METAL		
			30 3"	K RTJ x FNPT	C BUTT-WELD (40)	30 3000	Y OXYGEN	12 SS 410			
				A RF SMOOTH FACE		40 4000	C CRYOGENIC	13 DUPLEX SS			
				C BUTT-WELD (40)		60 6000	H HYDROGEN				

1. Additional features / options are available. Contact NAM.



The NAC-NUTEK® valve brand was established in 2017 to address the specific requirements of the oil and gas and process control industries. Every aspect of the brand and its products is supported by a team of valve and actuation experts with literally centuries of combined experience in providing global operators with rugged, field proven products manufactured to the highest levels of quality and performance.



North American Marketing [NAM] and its team have a long and rich history in the energy industry. Founded by William Robbins and Jim Wright, the majority of the team at NAM was part of Nutron Industries which was established by Mr. Robbins in 1989. Up until its sale in 2002 to Cooper Cameron, now a division of Schlumberger, Nutron Industries was an industry leader placing more than a million valves into applications throughout the world. In 2017, Mr. Robbins and Mr. Wright, formerly Senior Vice President of Cooper Cameron and President of its valve and distributed products division, decided to re-enter the valve industry focusing on improved design to create superior valves. The first brand of valves, NAC-NUTEK® is designed specifically for the oil and gas and process control industries, with added focus on severe service applications.

## HSE POLICY STATEMENT

At NAM, we are committed ethically, financially and personally to a working environment where no one gets hurt and nothing gets harmed.



[www.nutekvalves.com](http://www.nutekvalves.com)

**CANADA**

P:780-416-1996

C:780-919-9181

E:[info@nutekvalves.com](mailto:info@nutekvalves.com)